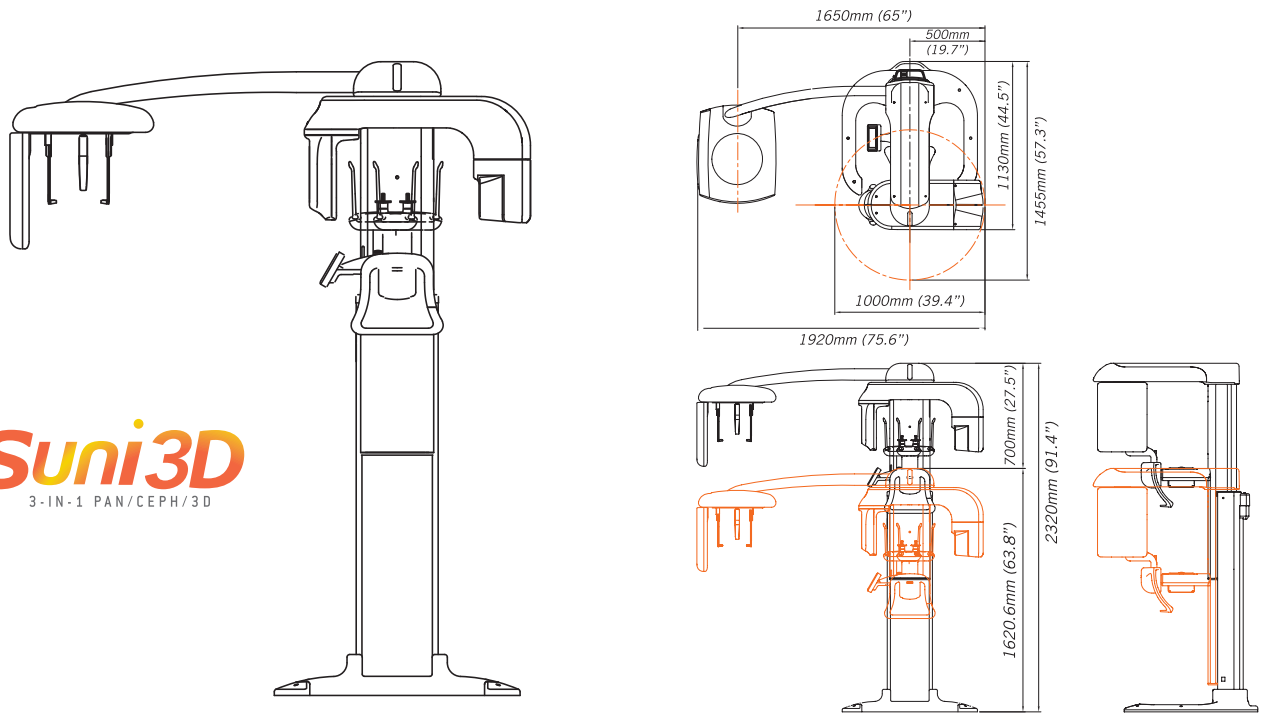


FROM THE VALUE LEADER IN DIGITAL IMAGING

Suni3D
3-IN-1 PAN/CEPH/3D



Technical data Panoramic & Cephalometric

Sensor	CCD Sensor with Cesium Iodide (Csi) scintillator screen
Focal Spot	0.35 x 0.5 mm
Data Bit	16 bit
Exposure Time	Pan Standard - 12.7 sec / Fast Scan - 9.1 sec / Ceph 0.5 - 0.9 sec adjustable
Power	110/230V
Tube Voltage	40-90kVp
Tube Current	2-10 mA
Data Acquisition Speed	20 Mb/s

Technical data 3D Cone Beam

Data bit	16 bit
Voxel Size	.2mm
Slice Thickness	0.186 ~ 10mm (default 1.5mm)
Scan Time	8.3 seconds
Patient Position	Standing, Seated, Wheelchair Accessible
Patient Alignment	3 Laser Beams and Scout View Alignment
FOV (w x h)	50 x 50mm - Upgradable to 80 x 50 mm
Reconstruction Time	Under 1 minute
Basic Display View	Longitudinal / Cross Sectional / Axial / Coronal / Sagittal
File Format	Dicom 3

6840 Via Del Oro | Suite 160 | San Jose, CA 95119

www.suni.com | 800 438 7864

suni
MEDICAL IMAGING INC