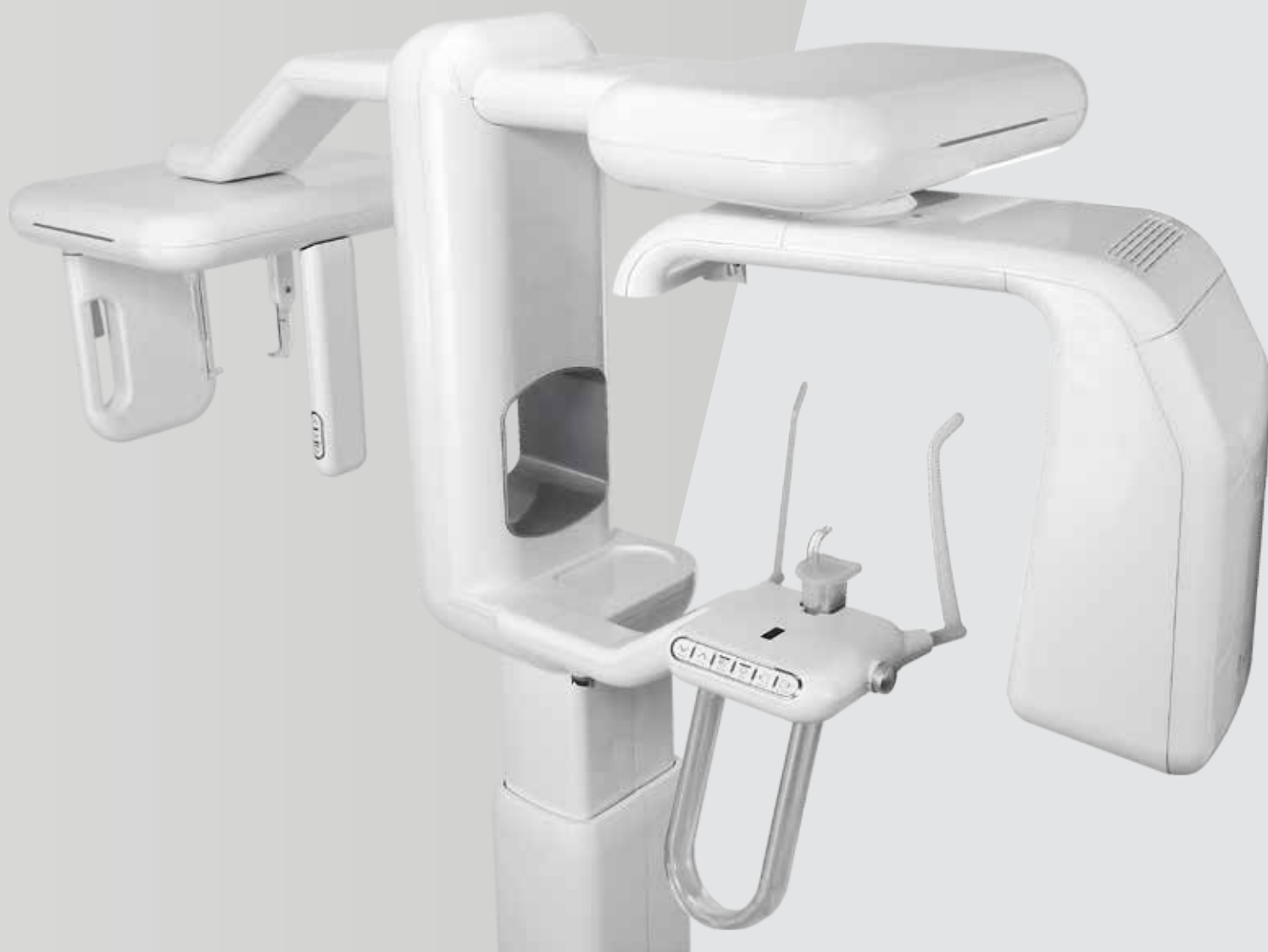


suni

PanQ-C

Cephalometric Imaging



Schedule a demo now

800 GET SUNI

www.suni.com

Cephalometric

High Resolution Cephalometric Image

- Short ceph arm - creating a very small foot print in your practice
- Optimized mechanical structure design for symmetrical balance- ensures safety and durability
- Cephalometric FR laser allows for easy patient positioning
- Position sensing sensor aids in every exposure mode to avoid operator mistakes
- Rapid 4 second scanning on fast mode - reduces motion artifacts.

Exposure Programs

ImageQ supports various exposure programs that fill diagnostic needs, including **Lateral, AP, PA, Water's view, Submento vertex, and carpus.**



Lateral



AP



Water's view

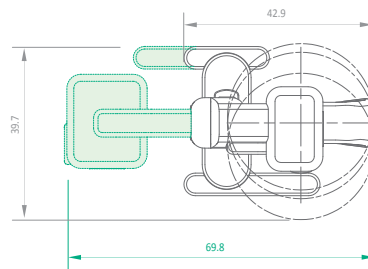
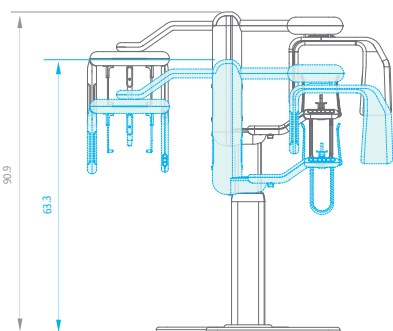


Submento vertex



Carpus

Dimensions



45.2 (w) X 42.9 (D) X 91.2 (H) in.
2.20 lbs

